

Department of Engineering
Tim Bryan, P.E., County Engineer

3137 South Liberty Street, Canton, MS 39046
Office (601) 790-2525 FAX (601) 859-3430

MEMORANDUM

November 17, 2022

To: Sheila Jones, Supervisor, District I
Trey Baxter, Supervisor, District II
Gerald Steen, Supervisor, District III
Karl Banks, Supervisor, District IV
Paul Griffin, Supervisor, District V

From: Tim Bryan, P.E., PTOE
County Engineer

Re: Telepak Networks, Inc./Cspire Utility Permit
County Road Name, N. Livingston Road

The Engineering Department recommends approval of the permit application for Telepack Networks, Inc./Cspire to directional bore at a minimum of 48" in depth as drawings reflect on attachment.

SHEILA JONES
District One

TREY BAXTER
District Two

GERALD STEEN
District Three

KARL BANKS
District Four

PAUL GRIFFIN
District Five

Revised: 2/14/2019



PERMIT APPLICATION FOR THE CONSTRUCTION OR ADJUSTMENT OF A UTILITY WITHIN COUNTY ROAD RIGHT-OF-WAY

Utility Information: Utility Name: Telepak Networks, Inc dba C Spire Fiber

Address: 1018 Highland Colony Parkway Suite 400 City/State/Zip: Ridgeland, MS 39157

Contact Person: Jon Huddleston Contact's Phone: 769-798-7284

Project Information: County Road Name: N Livingston Rd

(If located within more than one road right-of-way, use Appendix 1 for additional descriptions)

Beginning Location: _____ Ending Location: _____

Length of Project: _____ Section: _____ Township: _____ Range: _____

Description of Work: directional bore at a minimum of 48" in depth as drawings reflect

See Attached Construction Drawings

Check Box if Appendix 1 is to be included as a part of this Application

Whereas the above stated Utility makes application to the **Madison County Board of Supervisors** for a Construction Permit. Attached hereto are drawings and plans for the construction of the above facilities located within Madison County owned public rights-of-way. Once stamped by the Madison County Engineering Department, these plans shall not be changed or altered without written approval of the County Engineer, or his representative. A copy of the approved permit and plans shall be on-site at all times during construction.

The Applicant Utility shall comply with all policies, procedures and construction practices as outlined in *A Policy for The Accommodation of Utility Facilities within the Right-of-Way of all Public County Roads* (hereinafter referred to as the "Policy"), as adopted on November 1, 2005, by the **Madison County Board of Supervisors**, and which is hereby made a part of this Application Agreement.

If facilities are to be located within the Rights-of-Way of the County-Federal or State Aid System, Applicant Utility also agrees to comply with applicable provisions of *S.O.P. No. SA II-2-8, Accommodation of Utilities on Rights-of-Way*, issued by the State Aid Engineer and dated July 1, 2005.

The Applicant Utility understands and agrees that, except as herein granted, no right, title, claim, or easement to said road right-of-way is granted by the issuance of this permit. If this Utility is listed in the general provisions of the Policy, it will be adjusted to comply with same without cost to the County, unless the variance from the Policy has been approved by the granting of the Permit pursuant to this Application.

The Applicant Utility further understands that the Utility's engineering, plant, or other personnel will be responsible for the staking and construction supervision of the work set out above and as shown on the attached plans. If work impacts traffic in any way, the appropriate traffic control shall be installed per the *Manual of Uniform Traffic Control Devices*, Latest Edition.

The Applicant Utility understands that the County Engineer, or his representative, may issue a Stop Work Order at any time if it is deemed that site conditions are not suitable for construction or if any of the requirements of this permit are not being met.

Many County Roads have variable Rights-of-Way and/or no Right-of-Way at all and are maintained under a Prescriptive Easement. It is the sole responsibility of the Applicant Utility to verify the existence and limits of public rights-of-way. If none exists, it is the

responsibility of the Applicant Utility to acquire an easement for their Facilities from the applicable property owner(s). Madison County in no way verifies the limits of Right-of-Way as shown on the permit application.

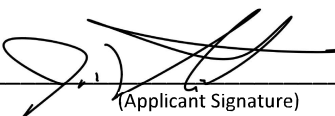
The Applicant Utility shall be responsible for all future maintenance and repair of the facilities installed under this permit. The Applicant Utility shall make future adjustments to, or relocate, the facilities located within road or highway right-of-way when required for road or highway widening or other road or highway construction at no cost to Madison County. The Applicant Utility shall relocate said utilities within sixty (60) days of notification by County by registered mail, return receipt requested, unless otherwise designated by the County Engineer. Further, any maintenance, repair, or construction shall be done in such a manner as to occasion no unreasonable interference with the normal flow and safety to traffic and at the expense of the utility company. When reasonable care has been taken to locate said utility facilities within the right-of-way, the Applicant Utility understands that any damages caused by routine maintenance and construction by County forces shall be borne by the Applicant Utility.

The Applicant Utility further agrees to indemnify and hold Madison County harmless for any and all claims, accidents, damages, liabilities and expenses occasioned wholly, or in part, by any act or omission of applicant, its agents or employees. In case County shall, without fault on its own part, be made a party to any litigation commenced by or against applicant, then applicant shall protect and hold County harmless, and shall pay all costs, expenses and reasonable attorney's fees incurred or paid by County in connection with said litigation.

All underground facilities shall be installed at a depth equal to or greater than 48" below the lowest adjacent grade.

All pipes carrying liquid shall be encased under County maintained roads.

WITNESS the signature of the Applicant this the 17th day of November, 20 22.

By:  _____
(Applicant Signature)

Title: OSP Permit Specialist

Note: *Applicant must be an employee of the Utility named in this application. The Madison County Board of Supervisors will not recognize a Contractor, Subcontractor, Agent, or Consulting Engineer as the Applicant. Utility Company shall be fully responsible for all work performed under this application.*

I, or my authorized representative, have reviewed this application and determined that the drawing, sketches, and plans submitted by the Applicant meet the requirements of *A Policy for The Accommodation of Utility Facilities within the Right-of-Way of all Public County Roads.*

APPROVED
By **By timothy.bryan at 10:44 am, Nov 30, 2022**
Tim Bryan, P.E.
County Engineer

AGREED TO AND APPROVED BY:

Madison County Board President

Date: _____

ENTERED INTO THE MINUTES OF THE BOARD OF SUPERVISORS OF MADISON COUNTY, MISSISSIPPI ON THIS _____ DAY OF _____, 20_____.

Appendix 1

County Road Name: _____
Beginning Location: _____ Ending Location: _____
Length of Project: _____ Section: _____ Township: _____ Range: _____
Description of Work: _____

County Road Name: _____
Beginning Location: _____ Ending Location: _____
Length of Project: _____ Section: _____ Township: _____ Range: _____
Description of Work: _____

County Road Name: _____
Beginning Location: _____ Ending Location: _____
Length of Project: _____ Section: _____ Township: _____ Range: _____
Description of Work: _____

County Road Name: _____
Beginning Location: _____ Ending Location: _____
Length of Project: _____ Section: _____ Township: _____ Range: _____
Description of Work: _____

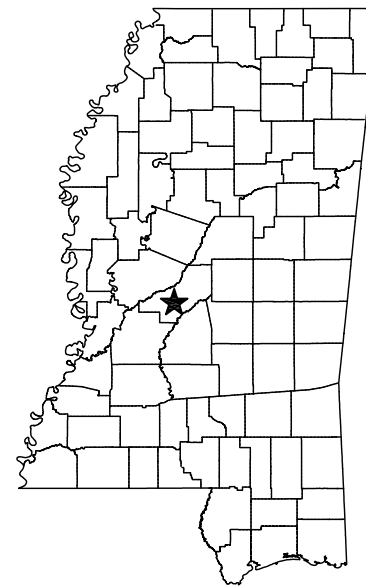
County Road Name: _____
Beginning Location: _____ Ending Location: _____
Length of Project: _____ Section: _____ Township: _____ Range: _____
Description of Work: _____



ASBUILT INFORMATION

FIELD ENGINEER: NAME: _____
PROJECT MANAGER: NAME: _____
CONSTRUCTION: NAME: _____
SUB CONTRACTOR: NAME: _____
INSPECTOR: NAME: _____
 PHONE#: _____

CONSTRUCTION COMMENCED: DATE: _____
CONSTRUCTION COMPLETED: DATE: _____
FIBER INSTALLED: DATE: _____
FINAL CLEANUP: DATE: _____



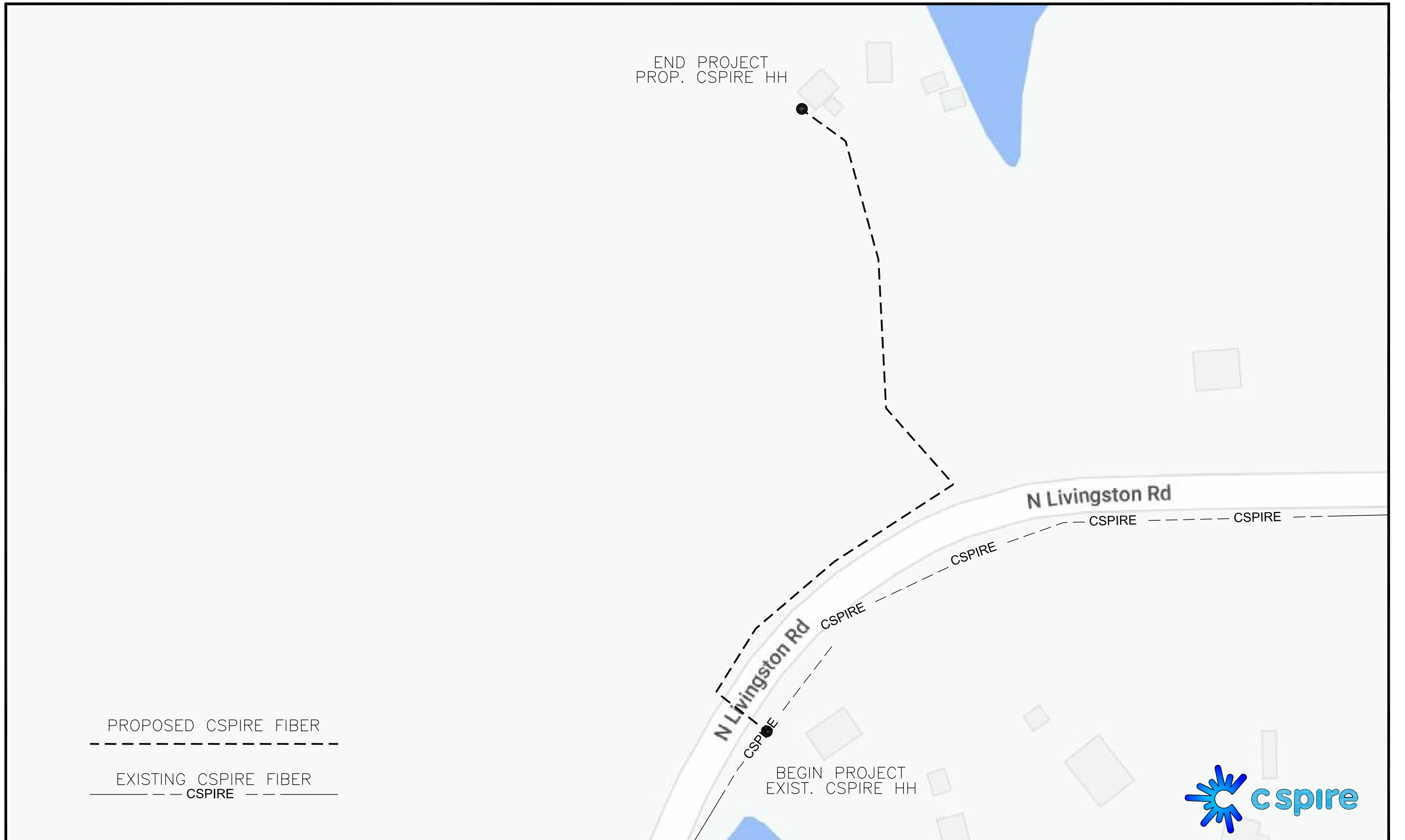
SWO.OSP.67388
CS.OSFPMS-MADCTY.MS

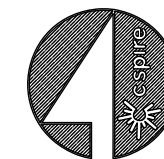
PROPOSED FIBER BUILD
Georgetown Realty LLC Ridgeland
11/14/2022



1018 HIGHLAND COLONY PARKWAY
SUITE 340
RIDGELAND, MISSISSIPPI 39157
1-800-342-3716

ROUTE MAP





CONSTRUCTION NOTES:

1. ALL CONDUIT WILL BE 4" ID SCHEDULE 40 (ie. PVC OR BSP/GSP, MANUFACTURED SPLIT PVC OR SPLIT BSP/GSP), UNLESS SPECIFIED OTHERWISE.
2. CONTRACTOR IS RESPONSIBLE FOR LOCATING ALL UTILITIES 48 HOURS PRIOR TO CONSTRUCTION ACTIVITY. CALL ONE CALL SYSTEM @ 1-800-227-6477.
3. ALL UNDERGROUND OBSTRUCTIONS, WHEN LOCATED, WILL REQUIRE THE PLACEMENT OF A BURIED CABLE MARKER AND THE PLACEMENT OF 4" MANUFACTURED SPLIT PVC, BSP/GSP OVER OR UNDER EACH OBSTRUCTION.
4. SHORING MAY BE REQUIRED AND SHALL COMPLY TO O.S.H.A. STANDARDS.
5. ALL BURIED CONDUIT/CABLE WILL BE PLACED AT 60" MINIMUM COVER CROSSING ALL STATE AND OR COUNTY ROADS AND ALL CREEK BEDS UNLESS SPECIFIED OTHERWISE ON THE CONSTRUCTION DRAWINGS.
6. MECHANICAL PROTECTION SHALL BE REQUIRED ANYTIME A 36" MINIMUM COVER IS UNOBTAINABLE UNLESS SPECIFIED OTHERWISE ON THE CONSTRUCTION DRAWINGS.
7. ALL 90 DEGREE BENDS IN CONDUIT CONSTRUCTION WILL BE A MINIMUM 38.2" RADIUS UNLESS SPECIFIED OTHERWISE. ALL SPLIT CONDUIT BENDS AND SOLID PVC BENDS SHALL REQUIRE CONCRETE ENCASEMENT, UNLESS SPECIFIED OTHERWISE.
8. OPERATIONS PERSONNEL TO BE CONTACTED BY THE CONTRACTOR 48 HOURS PRIOR TO CONSTRUCTION.
9. ALL STATIONING IS BASED ON AS-BUILT INFORMATION, THEREFORE SOME VARIANCE SHOULD BE ANTICIPATED. ADJUST AS NEEDED.
10. RAILROAD COMMUNICATION AND SIGNAL CABLES TO BE LOCATED PRIOR TO CONSTRUCTION ACTIVITY. RAILROAD TO BE GIVEN 48 HOURS NOTICE PRIOR TO CONSTRUCTION
11. ALL BURIED CONDUIT/CABLE WILL BE PLACED AT 24" MINIMUM BELOW THE LOWEST POINT OF EXISTING CITY UTILITY BEING CROSSED.
12. ALL BURIED CONDUIT/CABLE WILL BE PLACED AT 48" MINIMUM BELOW ALL CITY & OR SURFACE STREET(S) WHERE NO UTILITY IS CROSSED.
13. CONSTRUCTION CONTRACTOR SHALL PLACE MARKER POLES AT ALL H.H. LOCATIONS & AT EVERY MAJOR P.I. CONTRACTOR WILL PLACE MARKER POLES DURING THE CONSTRUCTION PHASE.

GENERAL NOTES:

1. ALL WORK TO BE DONE WITH EXTREME CAUTION, FIBER OPTIC CABLE CARRYING TRAFFIC AND LOSS OF SERVICE WILL RESULT IN LOSS OF REVENUE.
2. ALL WORK TO BE PERFORMED IN STRICT ACCORDANCE WITH THE APPLICABLE CODES OR REQUIREMENTS OF ANY REGULATING GOVERNMENTAL AGENCY, TELEPAK, OR THE RIGHT-OF-WAY GRANTOR.
3. LOCATIONS OF SOME OF THE PHYSICAL FEATURES WERE OBTAINED FROM DATED RAILROAD EVALUATION MAPS OR OTHER DRAWINGS, AND MAY BE AS SHOWN OR DEPICTED ON THESE DRAWINGS.
4. UNDERGROUND UTILITIES HAVE BEEN PLOTTED FROM AVAILABLE RECORDS AND FIELD OBSERVATIONS, BUT ARE NOT NECESSARILY EXACT. THEREFORE, UTILITY LOCATIONS WILL BE VERIFIED AT LEAST 100 FEET IN ADVANCE OF TRENCHING OR PLOWING, SO THAT CHANGES IN CABLE PLACEMENT CAN BE MADE IN EVENT OF CONFLICTS.
5. ALL KNOWN BURIED OBSTRUCTIONS ARE SHOWN ON THE CONSTRUCTION DRAWINGS. ANY AND ALL OTHERS ENCOUNTERED ARE ALSO THE RESPONSIBILITY OF THE CONTRACTOR TO LOCATE, PROTECT, AND REPAIR, IF DAMAGED.
6. ANY AND ALL IMPROVEMENTS, SUCH AS, ASPHALT OR CONCRETE PAVEMENT, CURBS, GUTTERS, WALKS, DRAINAGE DITCHES, EMBANKMENTS, SHRUBS, TREES, GRASS SOD, ETC., IF DAMAGED, SHALL BE RESTORED TO ORIGINAL OR BETTER CONDITION.
7. EQUIPMENT TYPES SPECIFIED HEREIN (ie: "BACKHOE, "SWAMP PLOW", ETC.) ARE SUGGESTIONS ONLY AND ARE NOT INTENDED AS REQUIREMENTS. CONTRACTOR WILL BE NOTIFIED AS TO EXCEPTIONS.

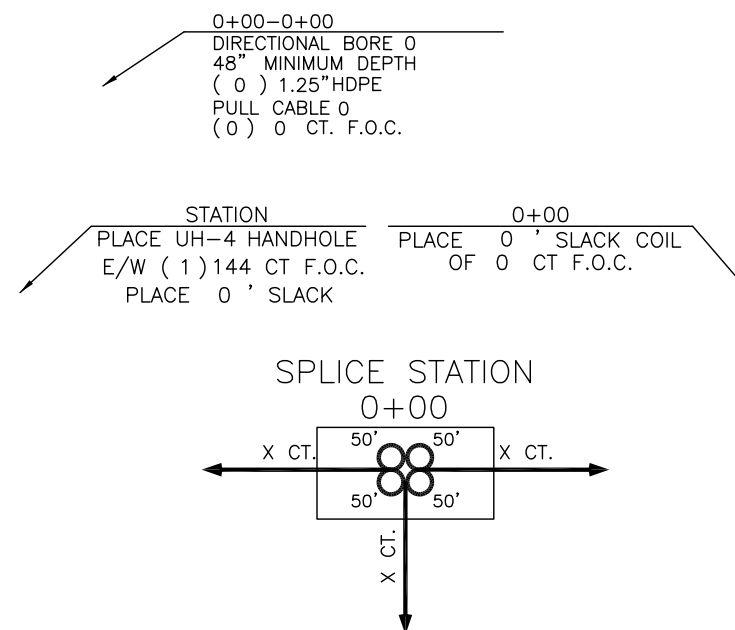
TRAFFIC CONTROL NOTES:

ALL WORK SHALL COMPLY WITH THE UNIFORM TRAFFIC CONTROL MANUAL. (1998 EDITION OF MUTCD, REVISION 3) OR NEWER VERSIONS OF THIS MANUAL.

CLARIFICATION NOTES:

NOTE: CALLOUTS WILL BE PLACED ON EACH DRAWING INDICATING FOLLOWING:

- A. MATERIAL AMOUNT
- B. DEPTH IF BURIED
- C. SIZE OF FIBER
- D. SIZE OF HDPE
- E. SIZE OF STRAND
- F. CABLE ID



NOMENCLATURE

DEFINITION

SYMBOL

- | | | |
|---------------|---|------|
| 1. BM2-8 : | PLACEMENT OF EIGHT FOOT GROUND ROD OUTSIDE OF HAND HOLE SIX INCHES BELOW GROUND LEVEL WITH PLACEMENT OF GROUND WIRE WITH THE CONNECTOR. | |
| 2. BM53F : | PLACEMENT OF PLASTIC MARKER POLE, MINIMUM OF 30" IN GROUND AS INDICATED BY DRAWINGS. | |
| 3. BM53F(A) : | PLACEMENT OF LOCATE MARKER POST AND PLACEMENT OF WIRE INSIDE OF POST FROM GROUND ROD AND SPLICE CLOSURE TO BE TERMINATED IN POST FOR LOCATION OF FACILITIES AS INDICATED ON DRAWINGS. | |
| 4. BM72 : | RESTORATION OF ASPHALT PER SQ. FT. AS REQUIRED BY COMPANY REP. | NONE |
| 5. BM73 : | RESTORATION OF CONCRETE PER SQ. FT. AS REQUIRED BY COMPANY REP. | NONE |
| 6. UO-144 : | PLACEMENT OF 144 COUNT FIBER INTO INNER-DUCT, LEAVING SLACK IN HAND HOLES AS INDICATED ON DRAWINGS. PRICE PER PLACEMENT IS ON 'PER FOOT' BASIS. | NONE |
| 7. UO-24 : | PLACEMENT OF 24 COUNT FIBER INTO INNER-DUCT, LEAVING SLACK IN HAND HOLES AS INDICATED ON DRAWINGS. PRICE FOR PLACEMENT IS ON A 'PER FOOT' BASIS. | NONE |

FILE NAME T-01	
PROJECT CITY -	
FULL FILENAME T-01.dwg	
DATE	DESCRIPTION CONSTRUCTION
SHEET 1	DRAWN BY
SCALE 1"=50'	PAGE 1

REVISIONS			
REV.	DESCRIPTION	INITIALS	DATE

MATERIAL LIST		
ITEM	DESCRIPTION	QUANTITY
1	TOTAL CABLE FT.	0'
2	DIR-BORE CABLE	0'
3	PULL CABLE	0'
4	BURIED SLACK	0'
5	1.25" HDPE	0'
6	5" HDPE CASING	0'
7	HANDHOLES	0
8	MANHOLES	0
9	SPLICE CLOSURE	0
10	H-POSTS	0
11	GROUND RODS	0
12	AERIAL CABLE	0'
13	RISERS	0
14		

PREPARED BY

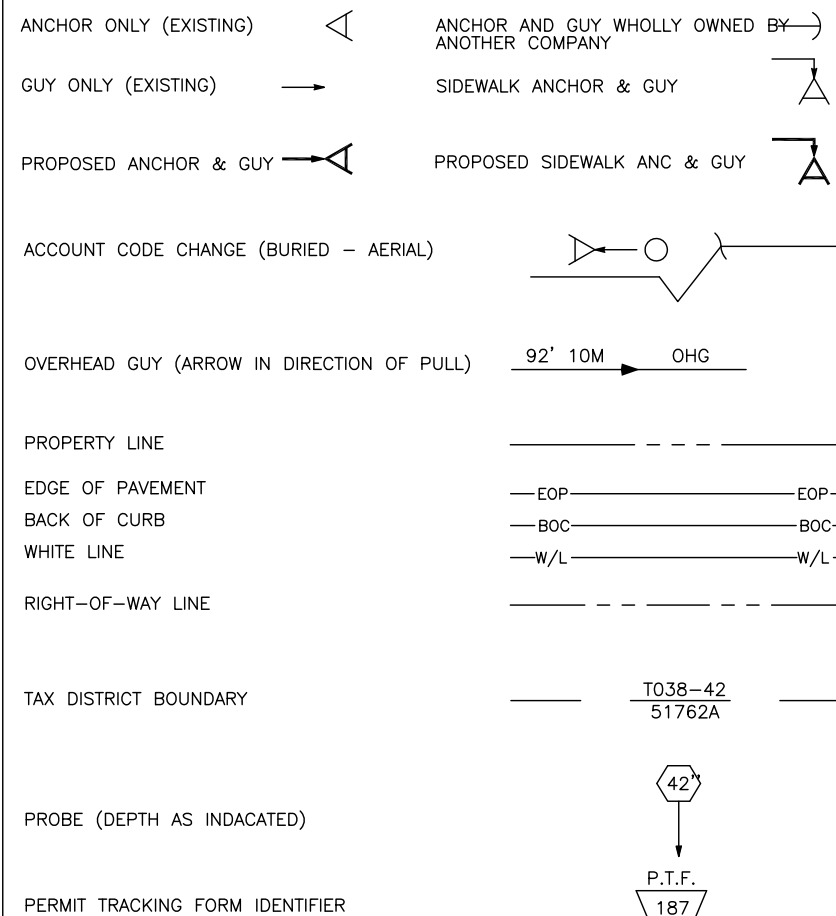
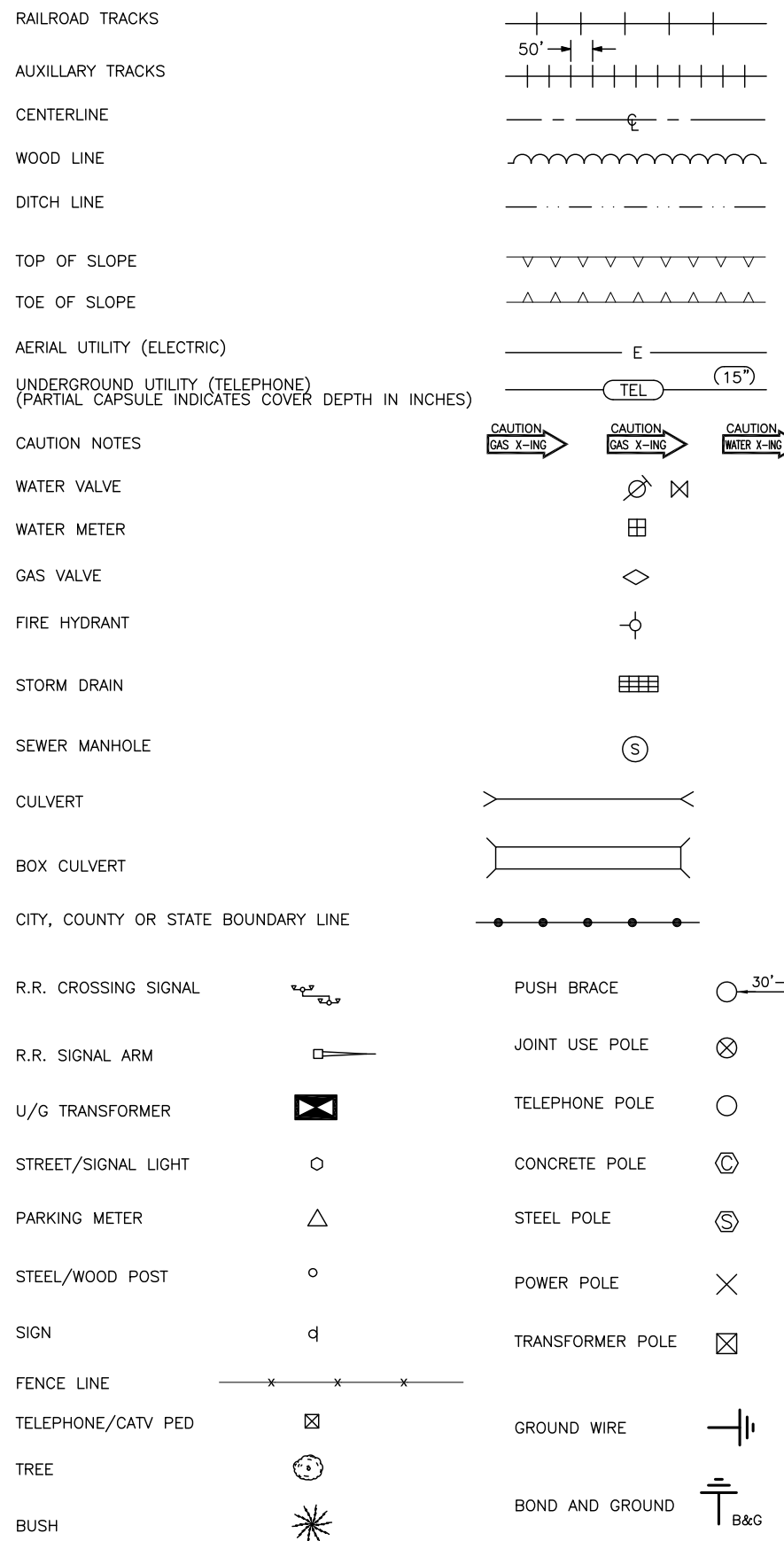
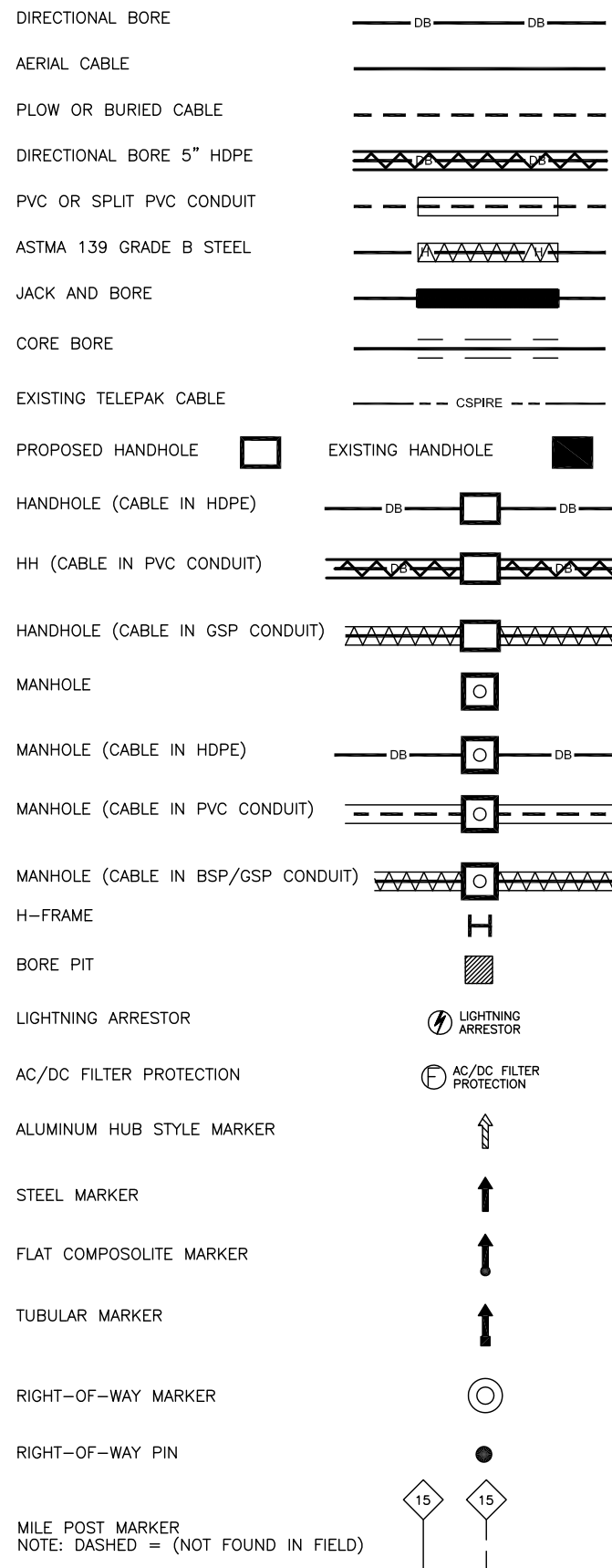
PREPARED FOR

MAP NUMBER	

DISCLAIMER
 EXCEPT AS MAY BE OTHERWISE PROVIDED BY CONTRACT, THESE DRAWINGS AND SPECIFICATIONS SHALL REMAIN THE PROPERTY OF CSPiRE FIBER. BEING ISSUED IN STRICT CONFIDENCE AND SHALL NOT BE REPRODUCED, COPIED, OR USED FOR ANY PURPOSE WITHOUT SPECIFIC WRITTEN PERMISSION.

NOTIFY ALL UTILITIES 72 HOURS PRIOR TO CONSTRUCTION ACTIVITY.
 ONE CALL SYSTEM @ 1-800-227-6477

SYMBOLS KEY



POLE ATTACHMENT ABBREVIATIONS

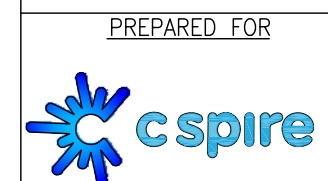
PWR	POWER ATTACHMENT	PWR OHG	POWER OVERHEAD GUY
TRI	TRIPLEX	CATV OHG	CATV OVERHEAD GUY
COMM	COMMUNICATIONS ATTACHMENT	CAP BANK	CAPACITOR BANK
CATV	CATV ATTACHMENT	CLTCKT	FIRE ALARM CIRCUIT
SL	STREET LIGHT	PWR DIP	POWER DIP
TSIG	TRAFFIC SIGNAL	COMM DIP	COMMUNICATIONS DIP
MDW	MULTI DROP WIRE	CATV DIP	CATV DIP
COMM OHG	COMMUNICATIONS OVERHEAD GUY	TEOP	TRAFFIC LIGHT
FL	FLOOD LIGHT	TGUY	TRAFFIC GUY
WH	WEATHER HEAD	MS	MIDSPAN
TRAN	TRANSFORMER	OHG	OVERHEAD GUY
TELEPAK	TELEPAK ATTACHMENT	TOP	TOP OF POLE
SEC	SECONDARY POWER	NEU	NEUTRAL



FILE NAME	T-02
PROJECT CITY	-
FULL FILENAME	T-02.dwg
DATE	CONSTRUCTION
SHEET	DRAWN BY
SCALE	PAGE
1"=50'	2

REVISIONS			
REV.	DESCRIPTION	INITIALS	DATE

MATERIAL LIST		
ITEM	DESCRIPTION	QUANTITY
1	TOTAL CABLE FT.	0'
2	DIR-BORE CABLE	0'
3	PULL CABLE	0'
4	BURIED SLACK	0'
5	1.25" HDPE	0'
6	5" HDPE CASING	0'
7	HANDHOLES	0
8	MANHOLES	0
9	SPLICE CLOSURE	0
10	H-POSTS	0
11	GROUND RODS	0
12	AERIAL CABLE	0'
13	RISERS	0
14		



MAP NUMBER	
	2

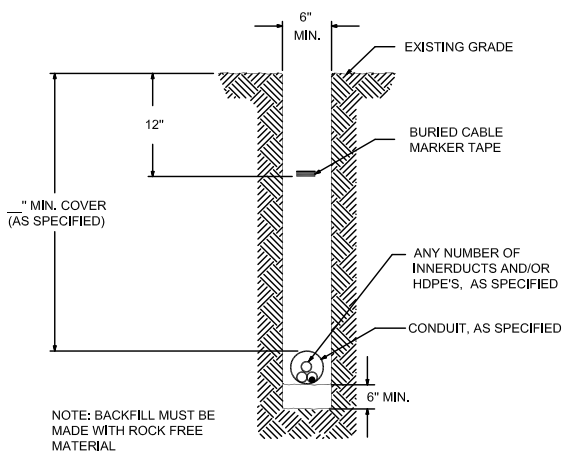
DISCLAIMER
EXCEPT AS MAY BE OTHERWISE PROVIDED BY CONTRACT, THESE DRAWINGS AND SPECIFICATIONS SHALL REMAIN THE PROPERTY OF CSPIRE FIBER. BEING ISSUED IN STRICT CONFIDENCE AND SHALL NOT BE REPRODUCED, COPIED, OR USED FOR ANY PURPOSE WITHOUT SPECIFIC WRITTEN PERMISSION.

NOTIFY ALL UTILITIES 72 HOURS PRIOR TO CONSTRUCTION ACTIVITY.
ONE CALL SYSTEM © 1-800-227-6477

PLACEMENT-TYPICALS

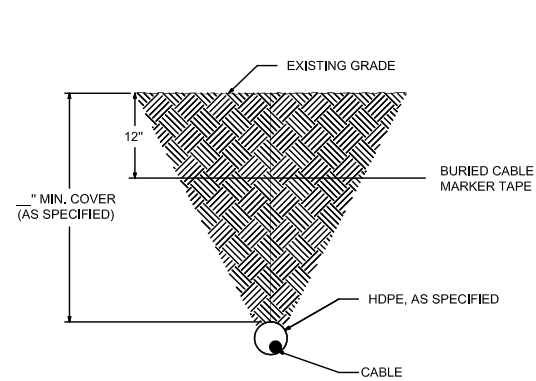
TYPICAL DETAIL "A"

PLACE CONDUIT CROSS SECTION

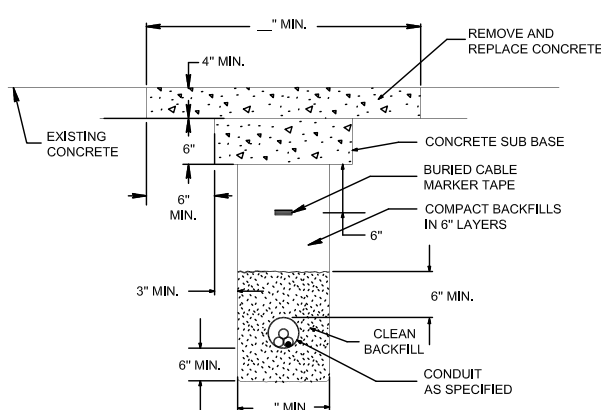


TYPICAL DETAIL "B"

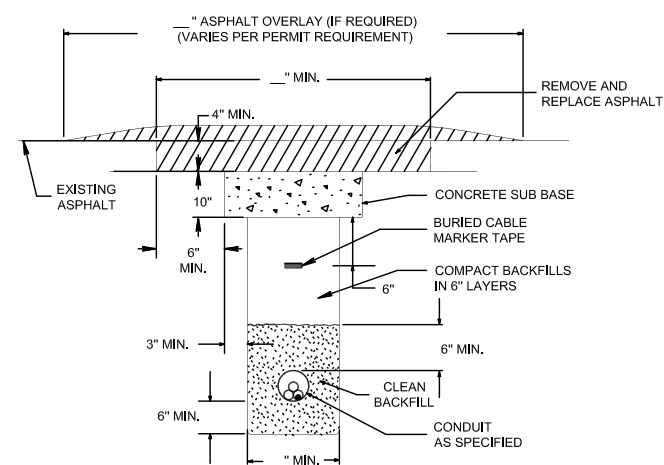
PLACE HDPE CROSS SECTION



TYPICAL DETAIL "C"
CONCRETE / PAVEMENT OPEN CUT CROSS SECTION

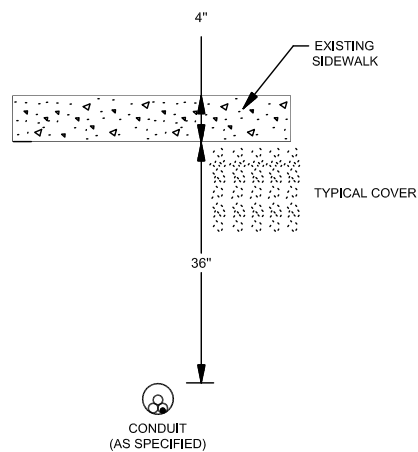


TYPICAL DETAIL "D"
ASPHALT/PAVEMENT OPEN CUT CROSS SECTION

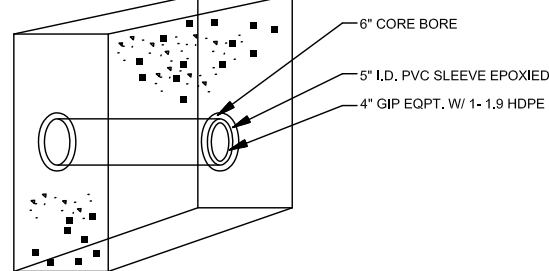


OPEN CUT-TYPICALS

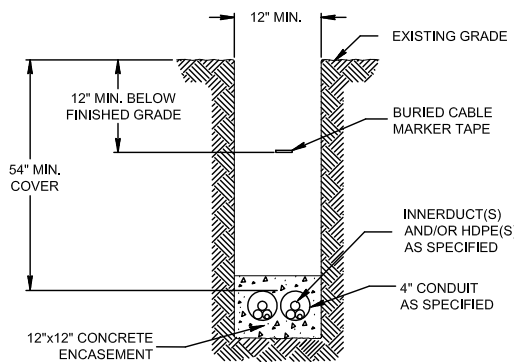
TYPICAL DETAIL "E"
BORE CONCRETE SIDEWALK



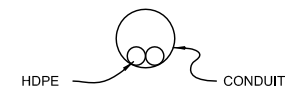
TYPICAL DETAIL "F"
CORE BORE (CONCRETE / BRICK WALL)



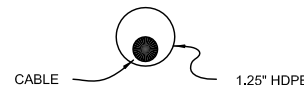
TYPICAL DETAIL "G"
12"x12" CONCRETE ENCASUREMENT



TYPICAL DETAIL "H"
PLACE (2) 1.25" HDPE IN CONDUIT

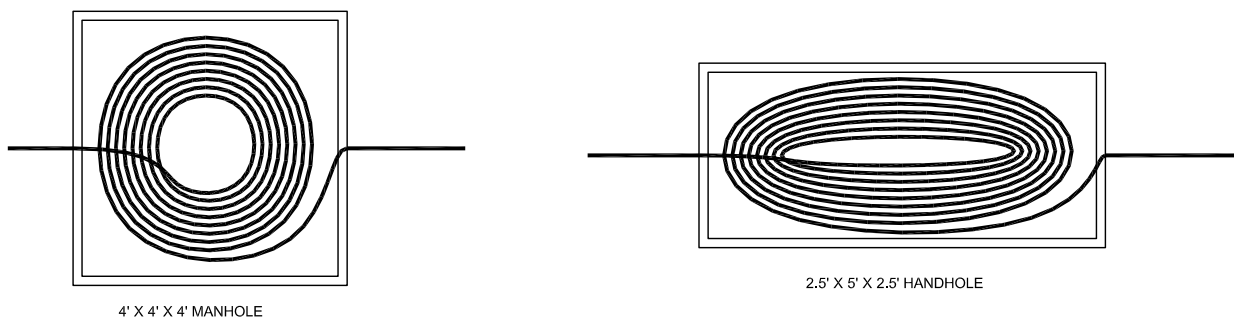


TYPICAL DETAIL "I"
PLACE CABLE IN HDPE



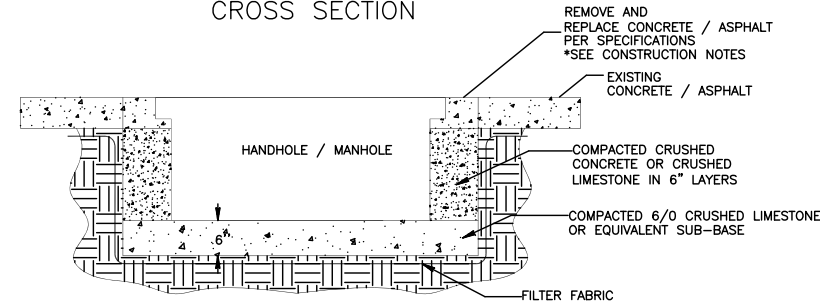
TYPICAL DETAIL "J"

MANHOLE & HANDHOLE SLACK COIL DETAIL



TYPICAL DETAIL "K"

HANDHOLE INSTALLATION IN CONCRETE / ASPHALT CROSS SECTION



FILE NAME T-03

PROJECT CITY -

FULL FILENAME T-03.dwg

DATE DESCRIPTION CONSTRUCTION

SHEET 3 DRAWN BY

SCALE 1"=50' PAGE 3

REVISIONS

REV.	DESCRIPTION	INITIALS	DATE

MATERIAL LIST

ITEM	DESCRIPTION	QUANTITY
1	TOTAL CABLE FT.	0'
2	DIR-BORE CABLE	0'
3	PULL CABLE	0'
4	BURIED SLACK	0'
5	1.25" HDPE	0'
6	5" HDPE CASING	0'
7	HANDHOLES	0
8	MANHOLES	0
9	SPLICE CLOSURE	0
10	H-POSTS	0
11	GROUND RODS	0
12	AERIAL CABLE	0'
13	RISERS	0
14		

PREPARED BY



PREPARED FOR



MAP NUMBER

--	--

DISCLAIMER

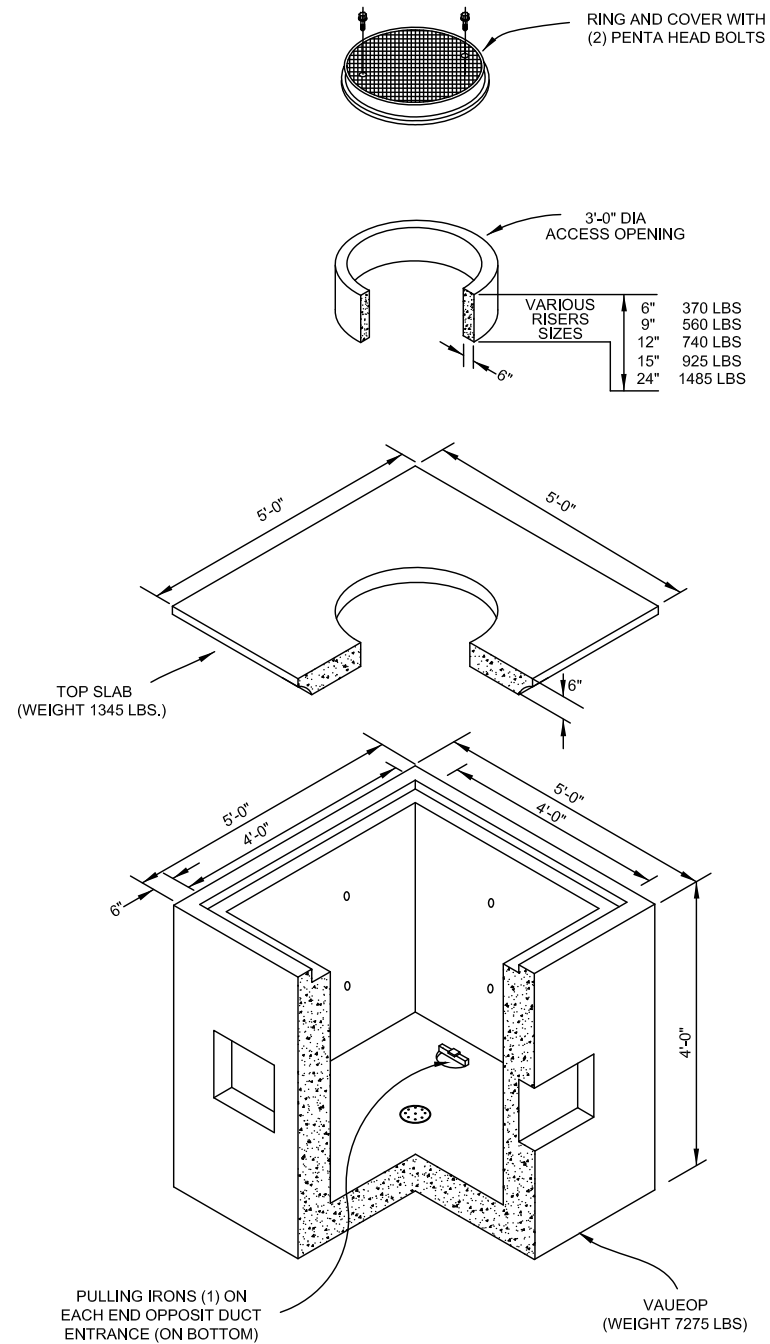
EXCEPT AS MAY BE OTHERWISE PROVIDED BY CONTRACT, THESE DRAWINGS AND SPECIFICATIONS SHALL REMAIN THE PROPERTY OF CSPIRE FIBER. BEING ISSUED IN STRICT CONFIDENCE AND SHALL NOT BE REPRODUCED, COPIED, OR USED FOR ANY PURPOSE WITHOUT SPECIFIC WRITTEN PERMISSION.

NOTIFY ALL UTILITIES 72 HOURS PRIOR TO CONSTRUCTION ACTIVITY.
ONE CALL SYSTEM © 1-800-227-6477

CAPITOL CONCRETE PRODUCTS, INC

FIBER OPTIC/LIGHTGUIDE
 SPLICE VAUEOP
 4'-0"X4'-0"X4'-0"

GRADE 60 REINFORCEMENT
 4500 PSI CONCRETE
 REINFORCEMENT FOR
 AASHTO M-20 LOADING



FILE NAME T-04

PROJECT CITY -

FULL FILENAME
 T-04.dwg

DATE	DESCRIPTION CONSTRUCTION
SHEET 4	DRAWN BY
SCALE 1"=50'	PAGE 4

REVISIONS

REV.	DESCRIPTION	INITIALS	DATE

MATERIAL LIST

ITEM	DESCRIPTION	QUANTITY
1	TOTAL CABLE FT.	0'
2	DIR-BORE CABLE	0'
3	PULL CABLE	0'
4	BURIED SLACK	0'
5	1.25" HDPE	0'
6	5" HDPE CASING	0'
7	HANDHOLES	0
8	MANHOLES	0
9	SPLICE CLOSURE	0
10	H-POSTS	0
11	GROUND RODS	0
12	AERIAL CABLE	0'
13	RISERS	0
14		

PREPARED BY



PREPARED FOR



MAP NUMBER

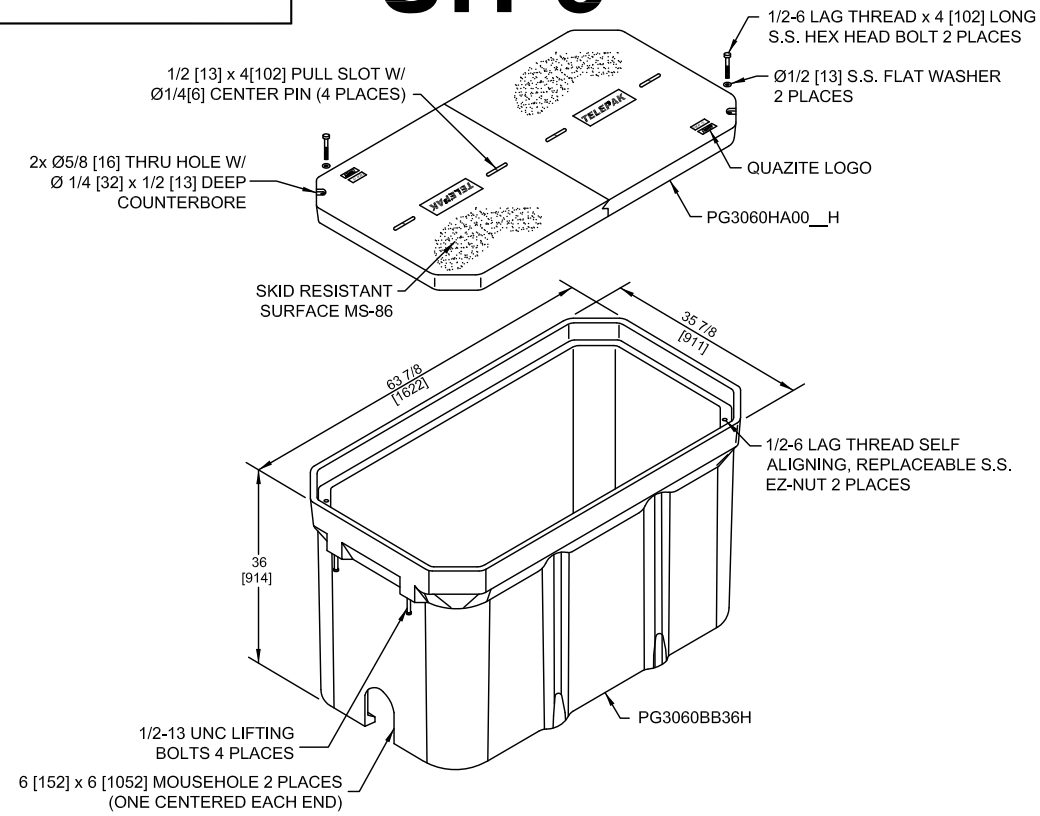
	4	

DISCLAIMER

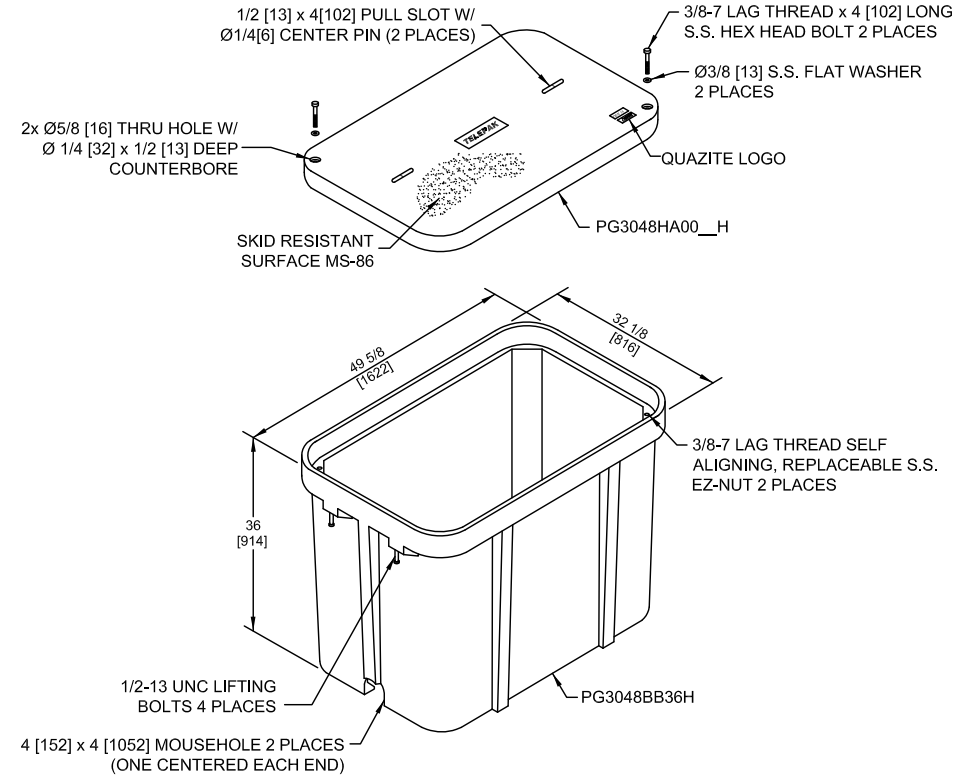
EXCEPT AS MAY BE OTHERWISE PROVIDED BY CONTRACT, THESE DRAWINGS AND SPECIFICATIONS SHALL REMAIN THE PROPERTY OF CSPIRE FIBER. BEING ISSUED IN STRICT CONFIDENCE AND SHALL NOT BE REPRODUCED, COPIED, OR USED FOR ANY PURPOSE WITHOUT SPECIFIC WRITTEN PERMISSION.

NOTIFY ALL UTILITIES 72 HOURS PRIOR TO CONSTRUCTION ACTIVITY.
 ONE CALL SYSTEM © 1-800-227-6477

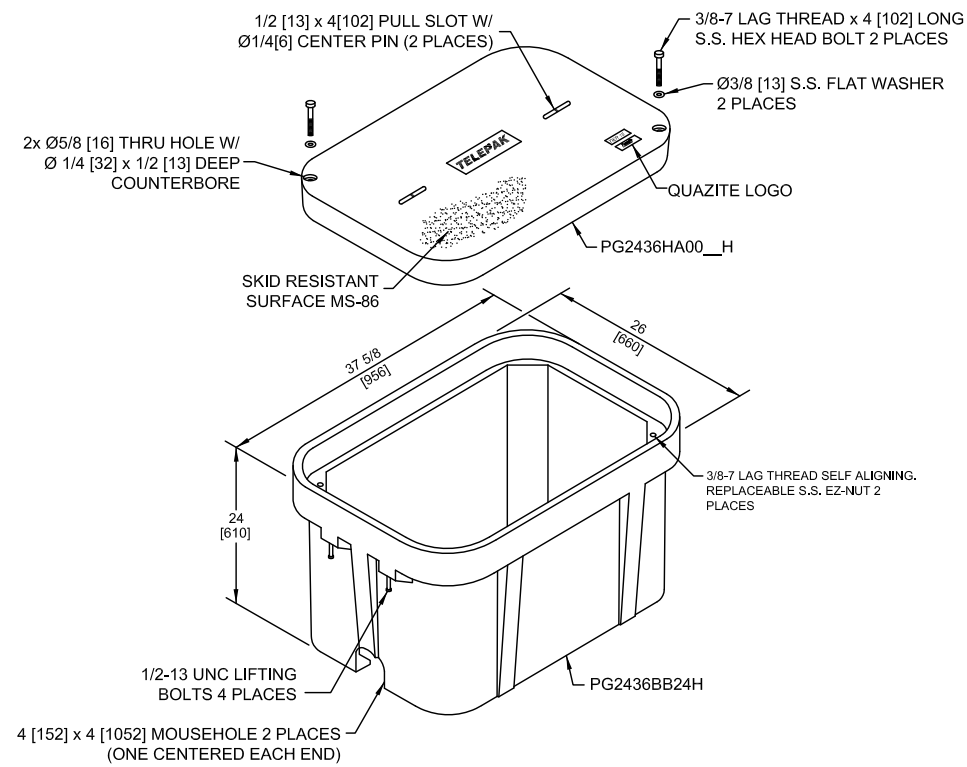
UH-5



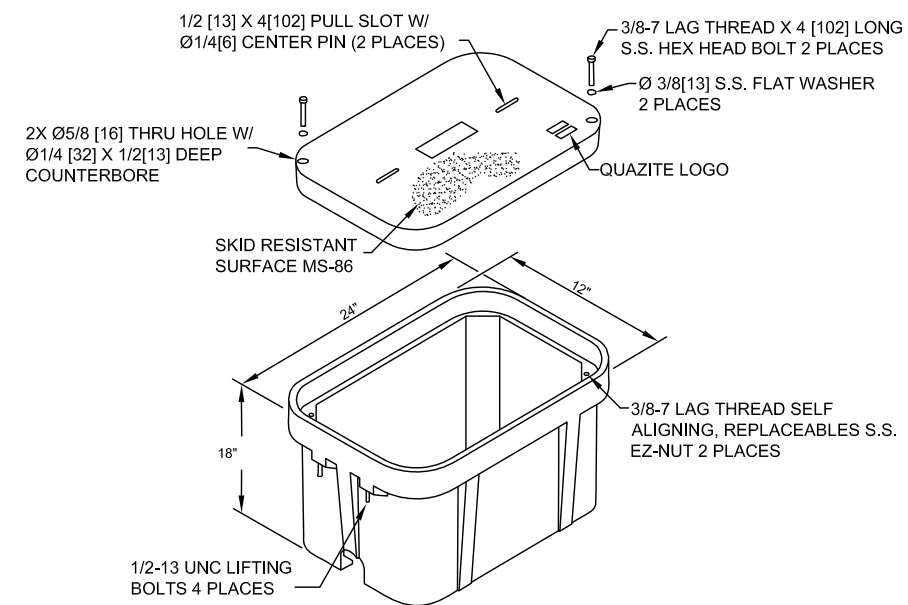
UH-4



UH-3



UH-2



FILE NAME T-05

PROJECT CITY -

FULL FILENAME T-05.dwg

DATE CONSTRUCTION

SHEET 5 DRAWN BY

SCALE 1"=50' PAGE 5

REVISIONS

REV.	DESCRIPTION	INITIALS	DATE

MATERIAL LIST

ITEM	DESCRIPTION	QUANTITY
1	TOTAL CABLE FT.	0'
2	DIR-BORE CABLE	0'
3	PULL CABLE	0'
4	BURIED SLACK	0'
5	1.25" HDPE	0'
6	5" HDPE CASING	0'
7	HANDHOLES	0
8	MANHOLES	0
9	SPLICE CLOSURE	0
10	H-POSTS	0
11	GROUND RODS	0
12	AERIAL CABLE	0'
13	RISERS	0
14		

PREPARED BY



PREPARED FOR



MAP NUMBER

	5	

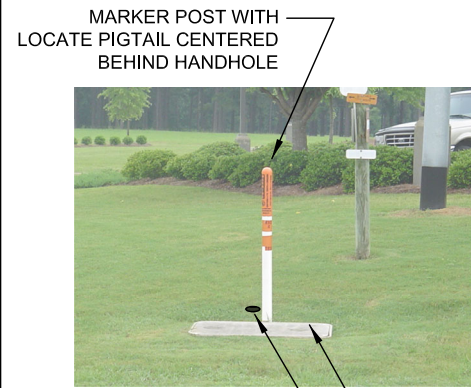
DISCLAIMER

EXCEPT AS MAY BE OTHERWISE PROVIDED BY CONTRACT, THESE DRAWINGS AND SPECIFICATIONS SHALL REMAIN THE PROPERTY OF CSPIRE FIBER. BEING ISSUED IN STRICT CONFIDENCE AND SHALL NOT BE REPRODUCED, COPIED, OR USED FOR ANY PURPOSE WITHOUT SPECIFIC WRITTEN PERMISSION.

NOTIFY ALL UTILITIES 72 HOURS PRIOR TO CONSTRUCTION ACTIVITY.
ONE CALL SYSTEM © 1-800-227-6477



TYPICAL HAND HOLE INSTALLATION



MARKER POST WITH LOCATE PIGTAIL CENTERED BEHIND HANDHOLE

AT EVERY HANDHOLE LOCATION WITH A MARKER POST, 1.25" HDPE SHOULD EXTEND 48" INTO MARKER POST. HDPE SHOULD ALSO EXTEND 6" ABOVE GRAVEL AT THE BOTTOM OF THE HANDHOLE.

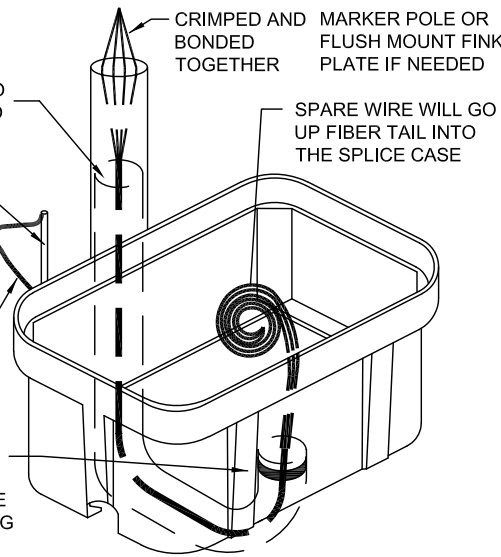
AT EVERY TEST STATION, BURY GROUND ROD 6" BELOW GROUND AND 6" TO THE LEFT OF MARKER POST

BLACK WIRE BONDED TO 8' GROUND ROD **AT TEST STATIONS ONLY**

PLACE BLUE TAPE NEAR THE TOP OF HDPE TO INDICATE THE DUCT LEADING TO MARKER POST

NOTES:

1. THIS ASSEMBLY IS RATED FOR A STATIC DESIGN LOAD OF 15,000 LBS. [66,720 N] OVER A 10 [254] X 10 [254] AREA AND MUST PASS A MIN. STATIC TEST LOAD OF 22,500 LBS. [100,085 N].
2. ALL ENCLOSURES, BOXES AND COVERS, ARE REQUIRED TO CONFORM TO ALL TEST PROVISIONS OF ANSI/SCTE 77 2007 "SPECIFICATION FOR UNDERGROUND ENCLOSURE INTEGRITY" AS MANUFACTURED BY QUAZITE OR EQUIVALENT WITH TELEPAK NETWORK'S ENGINEER'S SIGNED APPROVAL. THE COVERS MUST BE RATED FOR TIER 15 APPLICATIONS AND BOXES RATED FOR TIER 22 APPLICATIONS AND IN NO ASSEMBLY CAN THE COVER DESIGN LOAD EXCEED THE DESIGN LOAD OF THE BOX. ALL COMPONENTS IN AN ASSEMBLY (BOX & COVER) ARE MANUFACTURED USING MATCHED SURFACE TOOLING. ALL COVERS ARE REQUIRED TO HAVE A MINIMUM COEFFICIENT OF FRICTION OF 0.50 IN ACCORDANCE WITH ASTM C 1028 AND HAVE TIER 15 AND "TELEPAK NETWORKS 800-342-3716" EMBOSSED ON THE TOP SURFACE. ALL COVER BOLTS TO BE SELF-CLEANING AUGER BOLT ASSEMBLIES.



PIGTAILS ARE TO BE INSTALLED AT TEST STATION (T.S.) ONLY.

HANDHOLES ARE TO BE INSTALLED A MINIMUM OF THREE FEET FROM ANY UTILITY OR POWER POLE.

BOXES (Nestable)

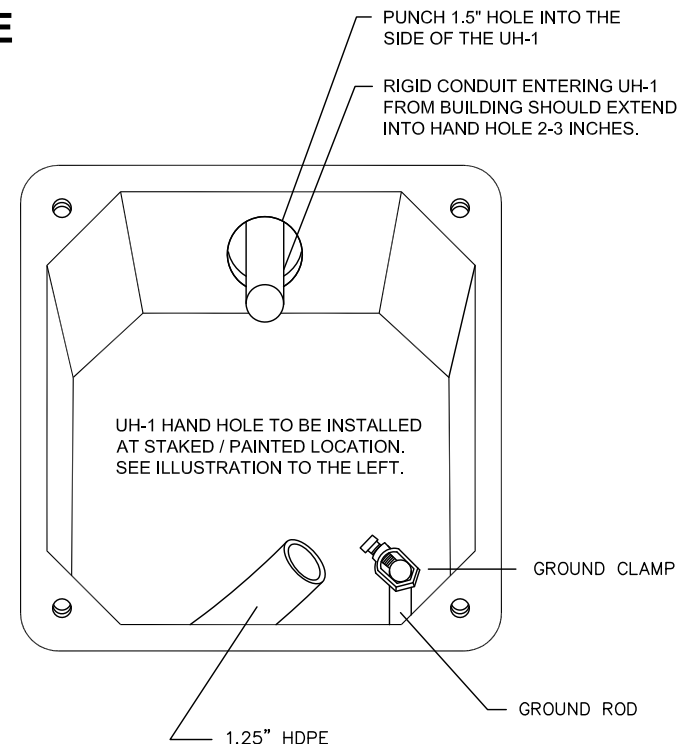
DESCRIPTION	PART NO.	WEIGHT	DESIGN/TEST LOAD#
UH-5 30x60x36	PG3060Z501	933# 423KG.	15'000 LBS
UH-4 30x48x36	PG3048Z579	563# 255KG.	15'000 LBS
UH-3 24x36x24	PG2436Z905	284# 129KG.	15'000 LBS

DIMENSIONS ARE IN INCHES OR MILLIMETERS IN BRACKETS UNLESS OTHERWISE NOTED.

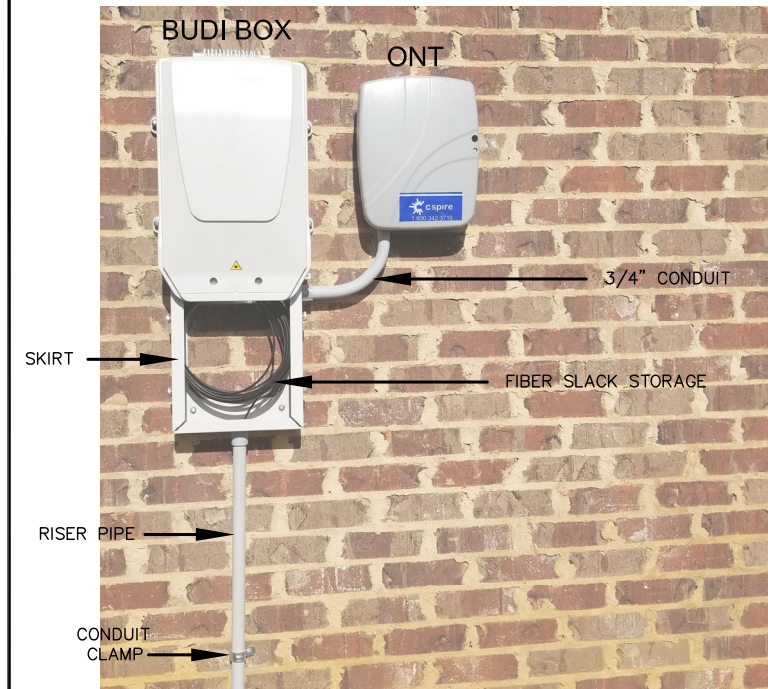
TYPICAL UH-1 / UH-2 HAND HOLE INSTALLATION PROCEDURES AT BUILDING ENTRIES



UH-1 / UH-2 INSTALLATION LOCATION WILL BE MARKED BY A STAKE AND/OR PAINT. CSPIRE/OSP WILL INSTALL CONDUIT 8" UNDERGROUND TO DESIRABLE UH-1 LOCATION.



TYPICAL BUDI BOX, SKIRT & ONT COMBO OUTDOOR INSTALLATION PROCEDURES AT BUILDING ENTRIES

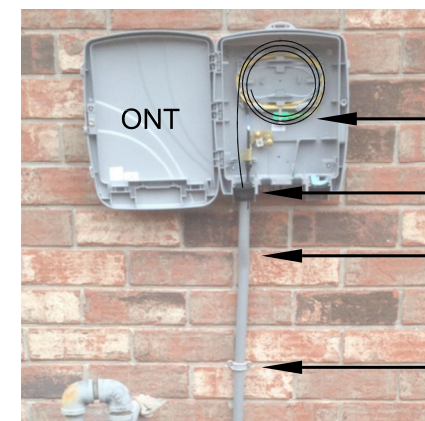


1. PLEASE MOUNT BUDI BOX 36" OFF THE GROUND UNLESS OTHERWISE STATED ON THE DRAWINGS.
2. BUDI BOX & ONT INSTALLATION LOCATION WILL BE SHOWN ON THE CONSTRUCTION DRAWINGS. PLEASE DO NOT USE PICTURES AS A HEIGHT INDICATOR FOR THE INSTALLATION.
3. MOUNT 3' RISER PIPE TO THE WALL USING SHOWN CONDUIT STRAPS.
4. JOIN RISER PIPE TO SKIRT AT SHOWN LOCATION & MOUNT BUDI BOX & SKIRT TO WALL.
5. USING A 3/4" SWEEPING 90, CONNECT SKIRT TO ONT AND MOUNT ONT TO WALL.
6. PLACE FIBER FROM DUCT INTO RISER PIPE AND INTO SKIRT LEAVING A 5' SLACK LOOP.

BUDI BOX, SKIRT & ONT COMBO OUTDOOR INSTALLATION COMPLETED INSTALL



TYPICAL ONT OUTDOOR INSTALLATION PROCEDURES AT BUILDING ENTRIES



1. PLEASE MOUNT ONT 48" OFF THE GROUND UNLESS OTHERWISE STATED ON THE DRAWINGS.
2. ONT & FDP INSTALLATION LOCATION WILL BE SHOWN ON THE CONSTRUCTION DRAWINGS. PLEASE DO NOT USE PICTURES AS A HEIGHT INDICATOR FOR THE INSTALLATION. MOUNT ONT AS CLOSE TO THE POWER METER AS POSSIBLE
3. DUCT PLACED BY DIRECTIONAL BORING SHOULD MEET THE RISER PIPE UNDERGROUND NEAR THE BASE OF THE WALL. A 4" GAP BETWEEN THE DUCT AND THE RISER PIPE IS ACCEPTABLE.
4. MOUNT 4' RISER PIPE TO THE WALL USING SHOWN CONDUIT CLAMPS.
5. JOIN RISER PIPE TO ONT AT SHOWN LOCATION & MOUNT ONT TO THE WALL.
6. PLACE FIBER FROM DUCT INTO RISER PIPE AND INTO ONT.
7. LEAVE 5' OF SLACK INSIDE OF THE ONT. SLACK SHOULD BE LOOSELY STORED AND NOT LOOPED TIGHTLY.

FILE NAME	T-06		
PROJECT CITY	-		
FULL FILENAME	T-06.dwg		
DATE	03-10-16	DESCRIPTION	CONSTRUCTION
SHEET	6	DRAWN BY	J.BUSBY
SCALE	1"=50'	PAGE	6

REVISIONS

REV.	DESCRIPTION	INITIALS	DATE

MATERIAL LIST

ITEM	DESCRIPTION	QUANTITY
1	TOTAL CABLE FT.	0'
2	DIR-BORE CABLE	0'
3	PULL CABLE	0'
4	BURIED SLACK	0'
5	1.25" HDPE	0'
6	5" HDPE CASING	0'
7	HANDHOLES	0
8	MANHOLES	0
9	SPLICE CLOSURE	0
10	H-POSTS	0
11	GROUND RODS	0
12	AERIAL CABLE	0'
13	RISERS	0
14		

PREPARED BY



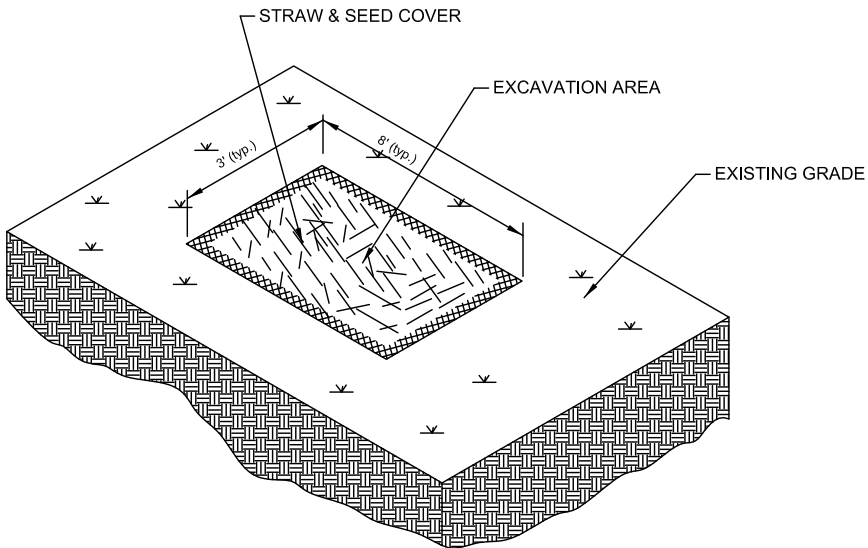
PREPARED FOR



MAP NUMBER

DISCLAIMER

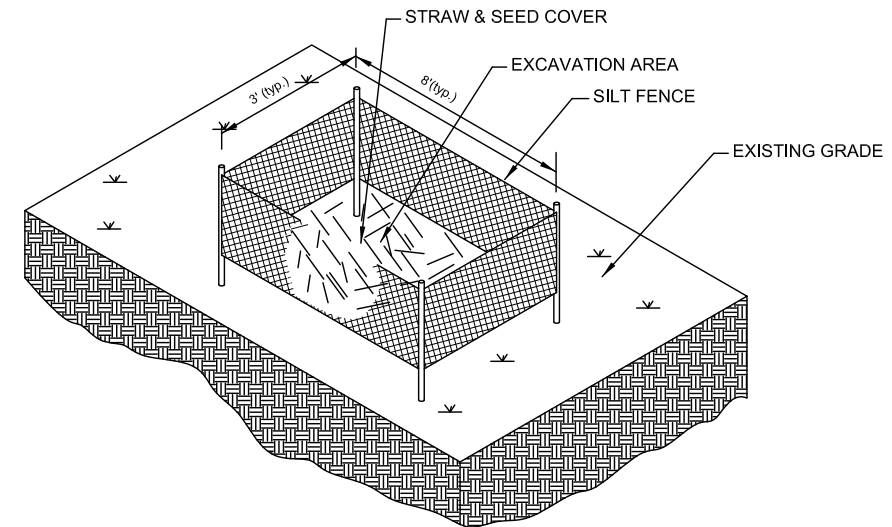
EXCEPT AS MAY BE OTHERWISE PROVIDED BY CONTRACT, THESE DRAWINGS AND SPECIFICATIONS SHALL REMAIN THE PROPERTY OF CSPIRE FIBER. BEING ISSUED IN STRICT CONFIDENCE AND SHALL NOT BE REPRODUCED, COPIED, OR USED FOR ANY PURPOSE WITHOUT SPECIFIC WRITTEN PERMISSION.



TYPICAL EROSION DETAIL #1

NOTE TO CONSTRUCTION:

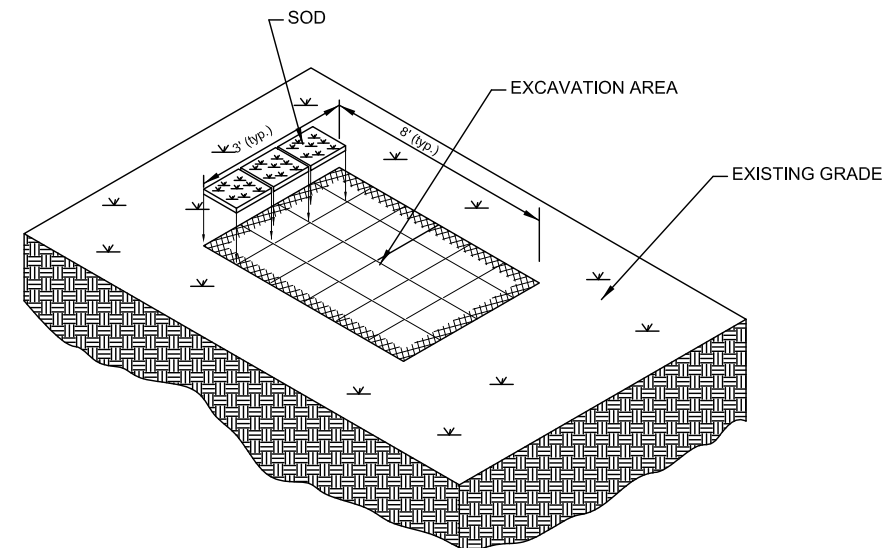
WHERE APPLICABLE
RE-COMPACT SOIL AROUND
HANDHOLES AND BOREPITS
USE HAY AND SEED COVER
FOR EROSION CONTROL.



TYPICAL EROSION DETAIL #2

NOTE TO CONSTRUCTION:

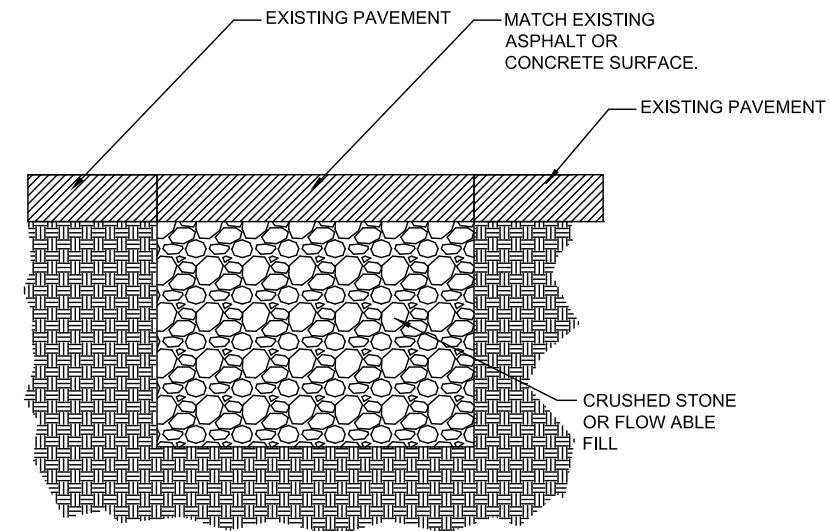
FOR HIGHER DEGREE OF SLOPE
RE-COMPACT SOIL AROUND
HANDHOLES AND BOREPITS. USE
HAY, SEED AND SILT FENCES FOR
EROSION CONTROL.



TYPICAL EROSION DETAIL #3

NOTE TO CONSTRUCTION:

FOR EROSION CONTROL IN
WELL MANICURED AREAS
RE-COMPACT SOIL AROUND
HANDHOLES AND BOREPITS.
RE-SOD TO MATCH EXISTING
GROUND COVER.



TYPICAL PAVEMENT REPAIR

DETAIL #4

NOTE TO CONSTRUCTION:

RE-COMPACT EFFECTED
AREAS WITH CRUSHED
STONE OR FLOWABLE FILL.
MATCH EXISTING PAVEMENT
SURFACE.



FILE NAME T-07

PROJECT CITY -

FULL FILENAME
T-07.dwg

DATE	DESCRIPTION
	CONSTRUCTION

SHEET	DRAWN BY
7	

SCALE	PAGE
1"=50'	7

REVISIONS

REV.	DESCRIPTION	INITIALS	DATE

MATERIAL LIST

ITEM	DESCRIPTION	QUANTITY
1	TOTAL CABLE FT.	0'
2	DIR-BORE CABLE	0'
3	PULL CABLE	0'
4	BURIED SLACK	0'
5	1.25" HDPE	0'
6	5" HDPE CASING	0'
7	HANDHOLES	0
8	MANHOLES	0
9	SPLICE CLOSURE	0
10	H-POSTS	0
11	GROUND RODS	0
12	AERIAL CABLE	0'
13	RISERS	0
14		

PREPARED BY



PREPARED FOR

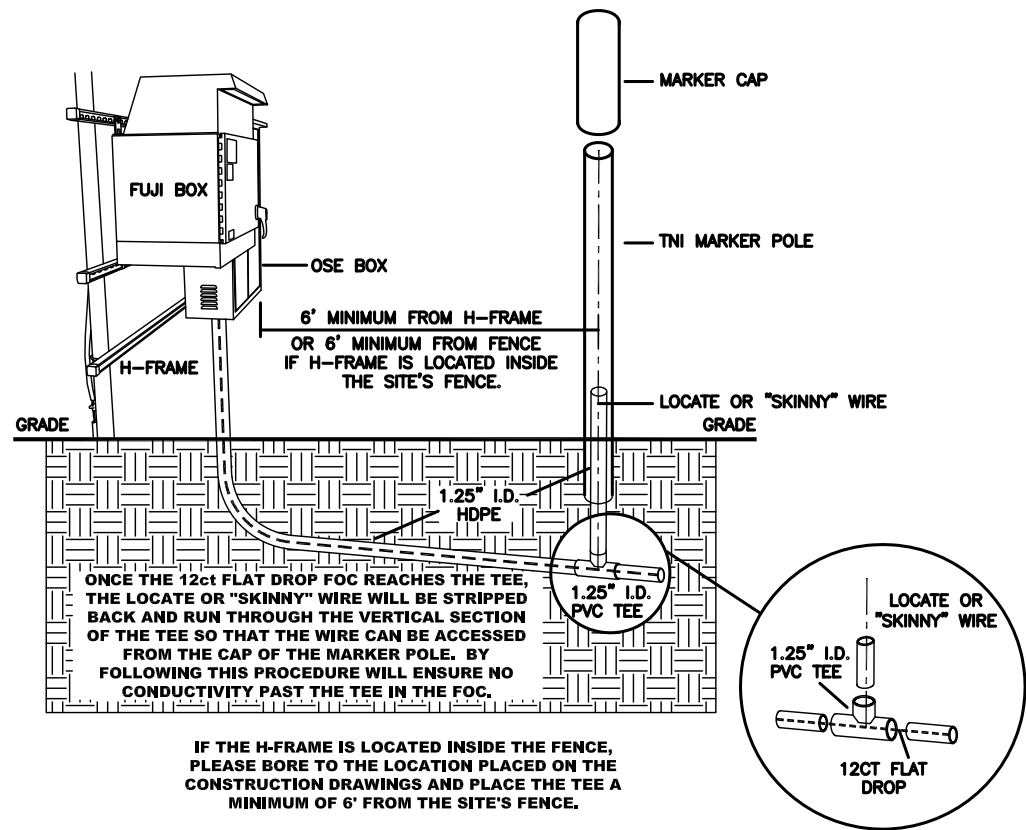


MAP NUMBER

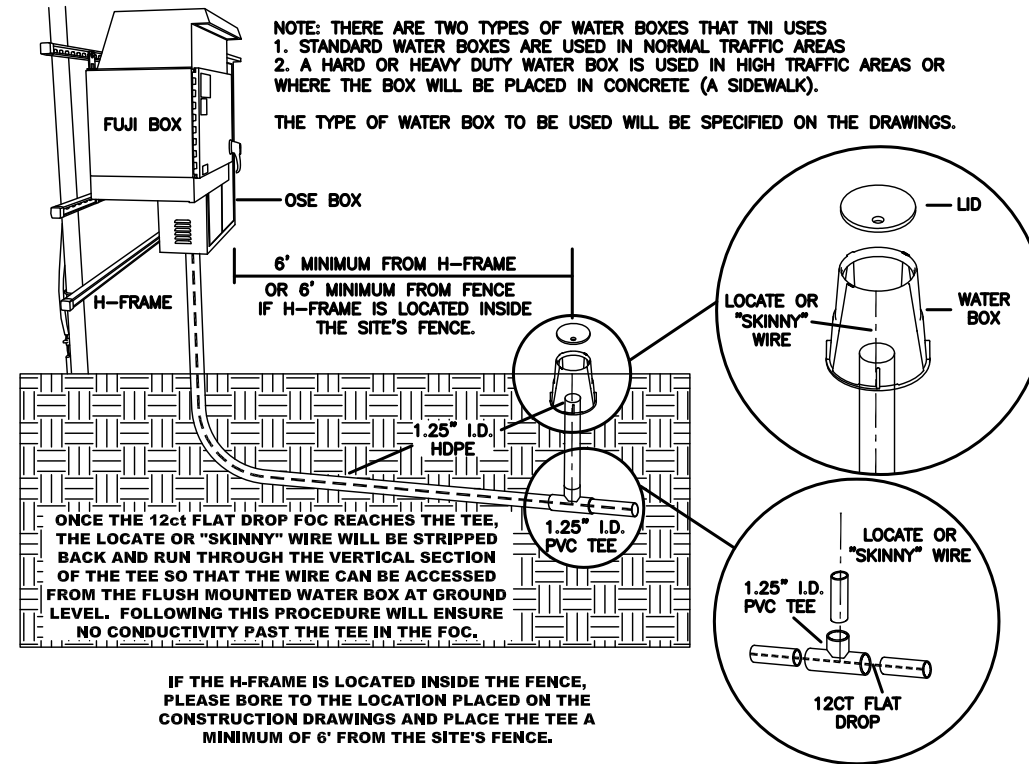
DISCLAIMER

EXCEPT AS MAY BE OTHERWISE PROVIDED BY
CONTRACT, THESE DRAWINGS AND SPECIFICATIONS
SHALL REMAIN THE PROPERTY OF CSPIRE FIBER.
BEING ISSUED IN STRICT
CONFIDENCE AND SHALL NOT BE REPRODUCED,
COPIED, OR USED FOR ANY PURPOSE
WITHOUT SPECIFIC WRITTEN PERMISSION.

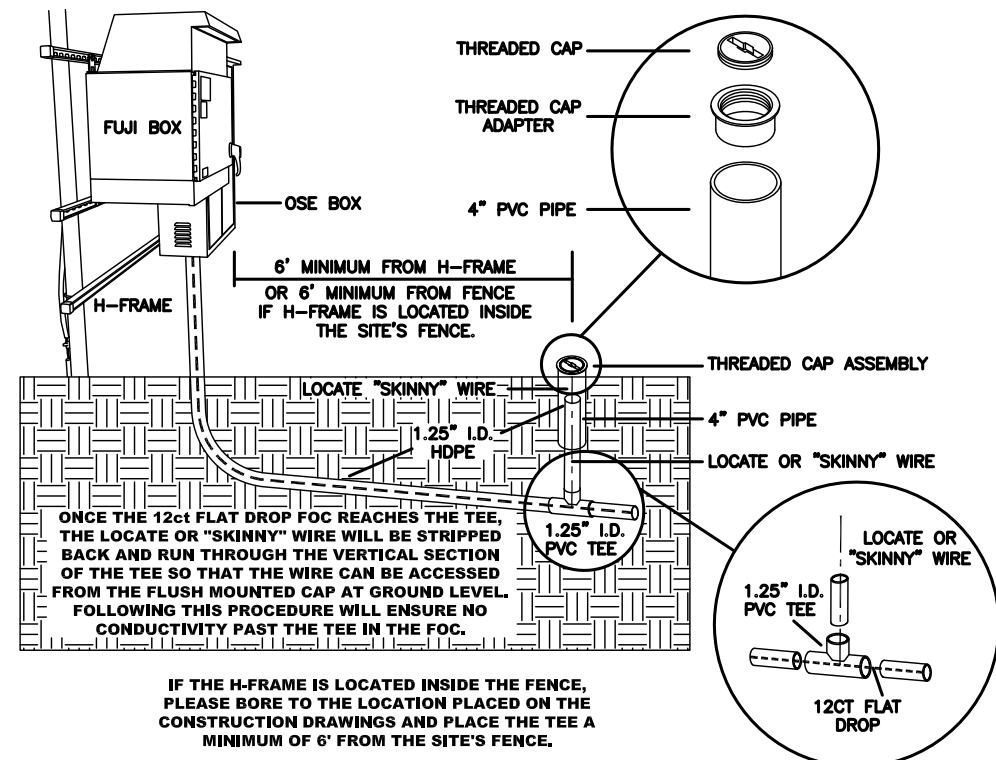
DIELECTRIC TEST STATION (DTS) TYPICALS



FLUSH MOUNTED WATER BOX INSTALLATION OPTION TWO



THREADED PVC FLUSH MOUNTED ACCESS CAP OPTION THREE



FILE NAME T-08

PROJECT CITY -

FULL FILENAME
T-08.dwg

DATE DESCRIPTION
CONSTRUCTION

SHEET 8 DRAWN BY

SCALE 1"=50' PAGE 8

REVISIONS

REV.	DESCRIPTION	INITIALS	DATE

MATERIAL LIST

ITEM	DESCRIPTION	QUANTITY
1	TOTAL CABLE FT.	0'
2	DIR-BORE CABLE	0'
3	PULL CABLE	0'
4	BURIED SLACK	0'
5	1.25" HDPE	0'
6	5" HDPE CASING	0'
7	HANDHOLES	0
8	MANHOLES	0
9	SPLICE CLOSURE	0
10	H-POSTS	0
11	GROUND RODS	0
12	AERIAL CABLE	0'
13	RISERS	0
14		

PREPARED BY



PREPARED FOR



MAP NUMBER

8

DISCLAIMER

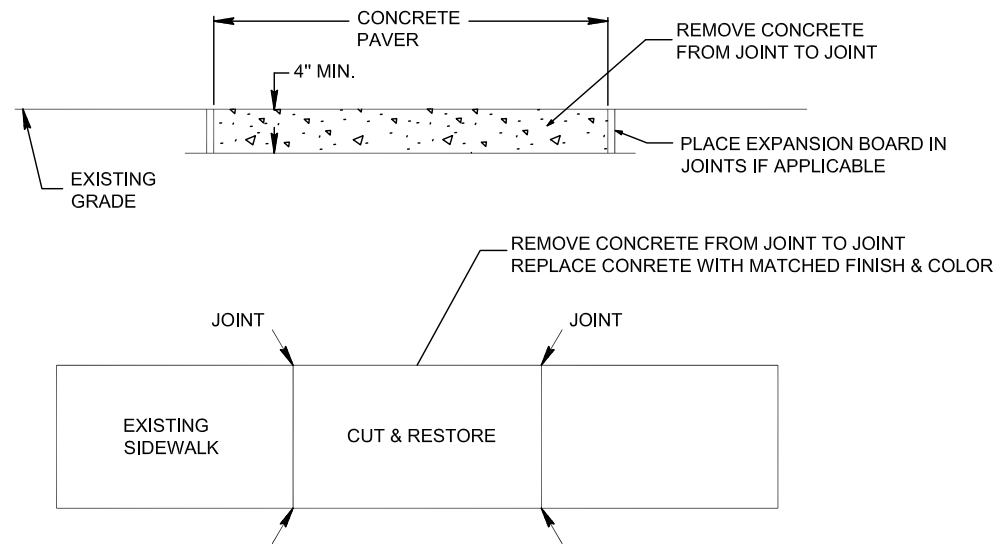
EXCEPT AS MAY BE OTHERWISE PROVIDED BY CONTRACT, THESE DRAWINGS AND SPECIFICATIONS SHALL REMAIN THE PROPERTY OF CSPIRE FIBER. BEING ISSUED IN STRICT CONFIDENCE AND SHALL NOT BE REPRODUCED, COPIED, OR USED FOR ANY PURPOSE WITHOUT SPECIFIC WRITTEN PERMISSION.

NOTIFY ALL UTILITIES 72 HOURS PRIOR TO CONSTRUCTION ACTIVITY.
ONE CALL SYSTEM © 1-800-227-6477

SIDEWALK CUT & RESTORE TYPICAL DETAIL

SIDEWALK MUST BE ADA COMPLIANT WHERE APPLICABLE

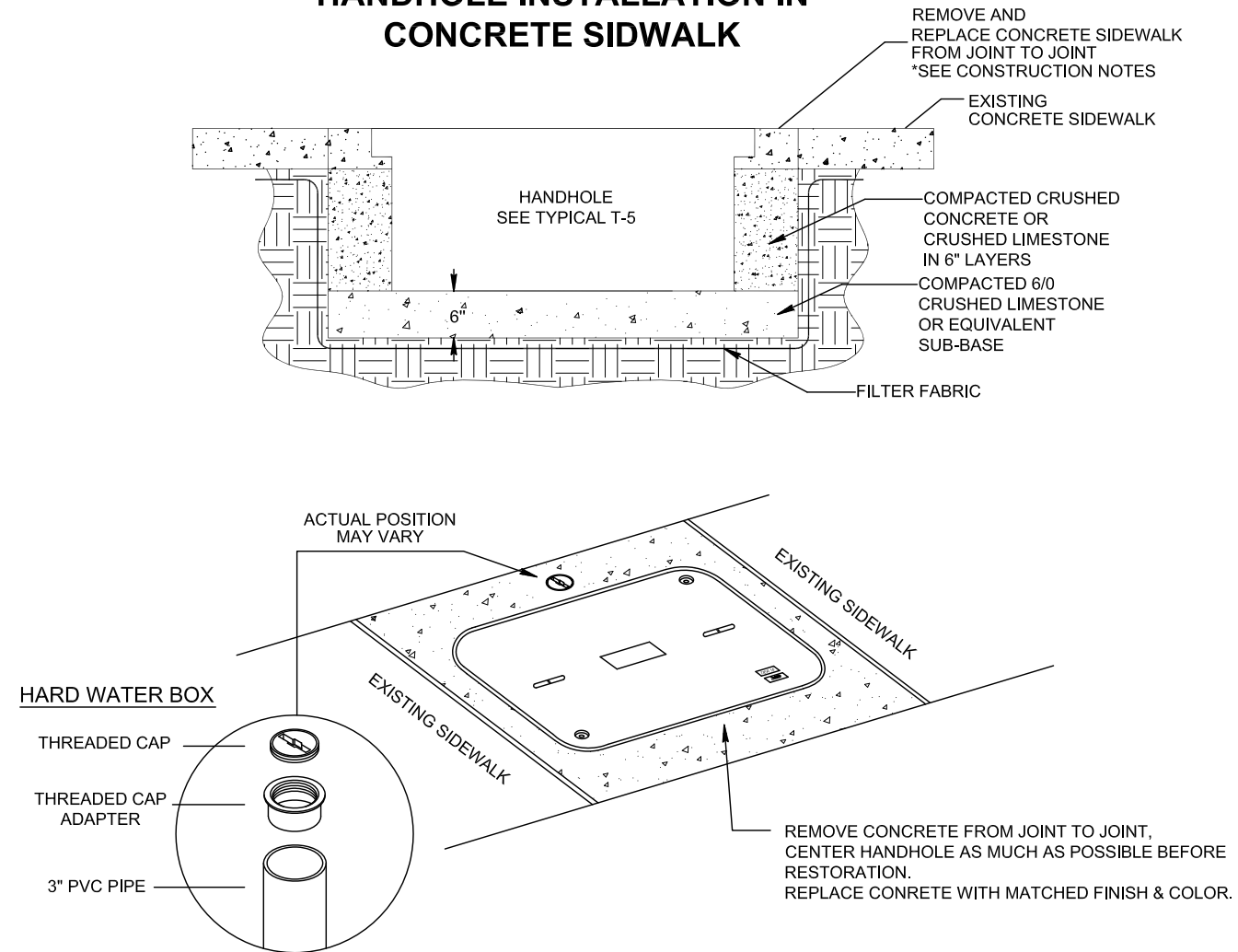
TYPICAL DETAIL "A" CONCRETE CUT & RESTORE REPLACEMENT



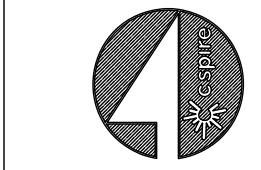
CONSTRUCTION NOTES:

1. PROVIDE BARRIERS AND TRAFFIC CONTROL PER MUTCD REV.3 OR NEWER.
2. CUT & RESTORE AREAS SHALL BE RETURNED TO ORIGINAL, OR BETTER CONDITION.
3. SIDEWALKS THAT HAVE EXPANSION BOARD IN USE IN ADJACENT AREAS SHALL BE RESTORED WITH EXPANSION BOARD.
4. EXPOSED AGGREGATE FINISHED SIDEWALKS SHALL BE RESTORED WITH SAME FINISH.
5. ENSURE FINISH IS SLIP RESISTANT.
6. BRICK SIDEWALKS SHALL BE RESTORED TO THE SAME FINISH.
7. ENSURE FLUSH MOUNT TEST STATIONS DO NOT PRESENT A TRIP HAZARD.
8. COVER CONCRETE FOR A MINIMUM OF 12 HOURS PRIOR TO REMOVING PEDESTRIAN BARRIERS.
9. RESTORATION AREA MUST BE RESTORED TO AN OPERATIONAL SIDEWALK PRIOR TO CLOSING ANY CONSTRUCTION PERMITS.

TYPICAL DETAIL "B" HANDHOLE INSTALLATION IN CONCRETE SIDEWALK



**AT EVERY HANDHOLE LOCATION
WITH TEST WIRE IN A SIDEWALK,
IF APPLICABLE, INSTALL A FLUSH
MOUNT HARD WATER BOX.
RESTORE CONCRETE TO ORIGINAL
FINISH & COLOR**



FILE NAME	T-09
PROJECT CITY	-
FULL FILENAME	T-09.dwg
DATE	CONSTRUCTION
SHEET	DRAWN BY
SCALE	PAGE
1"=50'	9

REVISIONS			
REV.	DESCRIPTION	INITIALS	DATE

MATERIAL LIST		
ITEM	DESCRIPTION	QUANTITY
1	TOTAL CABLE FT.	0'
2	DIR-BORE CABLE	0'
3	PULL CABLE	0'
4	BURIED SLACK	0'
5	1.25" HDPE	0'
6	5" HDPE CASING	0'
7	HANDHOLES	0
8	MANHOLES	0
9	SPLICE CLOSURE	0
10	H-POSTS	0
11	GROUND RODS	0
12	AERIAL CABLE	0'
13	RISERS	0
14		

PREPARED BY

PREPARED FOR

MAP NUMBER	9
------------	---

DISCLAIMER
EXCEPT AS MAY BE OTHERWISE PROVIDED BY CONTRACT, THESE DRAWINGS AND SPECIFICATIONS SHALL REMAIN THE PROPERTY OF CSPIRE FIBER. BEING ISSUED IN STRICT CONFIDENCE AND SHALL NOT BE REPRODUCED, COPIED, OR USED FOR ANY PURPOSE WITHOUT SPECIFIC WRITTEN PERMISSION.

NOTIFY ALL UTILITIES 72 HOURS PRIOR TO CONSTRUCTION ACTIVITY.
ONE CALL SYSTEM © 1-800-227-6477



FILE NAME	GRL-001
PROJECT CITY	RIDGELAND, MS
FULL FILENAME	GRL-001.dwg
DATE	11-09-22
DESCRIPTION	CONSTRUCTION
SHEET	001
DRAWN BY	A.COGAR
SCALE	1"=50'
PAGE	001

REVISIONS			
REV.	DESCRIPTION	INITIALS	DATE

MATERIAL LIST		
ITEM	DESCRIPTION	QUANTITY
1	TOTAL CABLE FT.	1320'
2	DIR-BORE CABLE	820'
3	PULL CABLE	0'
4	BURIED SLACK	500'
5	1.25" HDPE	1640'
6	5" HDPE CASING	0'
7	HANDHOLES	2
8	MANHOLES	0
9	SPLICE CLOSURE	1
10	H-POSTS	0
11	GROUND RODS	0
12	AERIAL CABLE	0'
13	RISERS	0
14		

PREPARED BY

PREPARED FOR

MAP NUMBER	
001	002

DISCLAIMER
EXCEPT AS MAY BE OTHERWISE PROVIDED BY CONTRACT, THESE DRAWINGS AND SPECIFICATIONS SHALL REMAIN THE PROPERTY OF CSPiRE FIBER. BEING ISSUED IN STRICT CONFIDENCE AND SHALL NOT BE REPRODUCED, COPIED, OR USED FOR ANY PURPOSE WITHOUT SPECIFIC WRITTEN PERMISSION.

